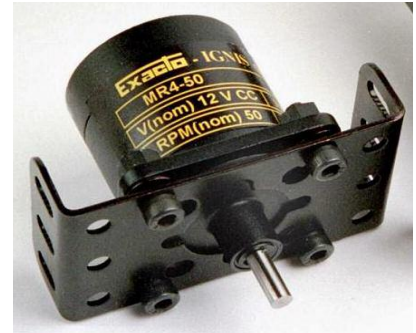
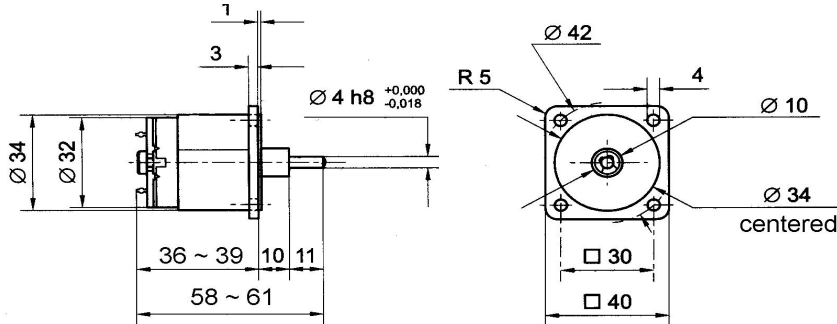


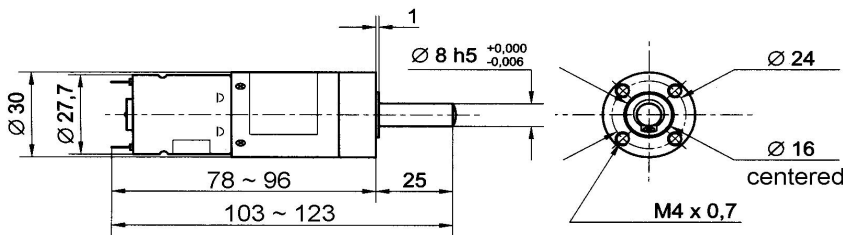
MR4 SET

nominal power: 1,20W (similar to MARX MILLIPERM)
 nominal voltage and current: 12V DC; 100mA
 range of speeds: 15 - 50 - 100 - 200 RPM **
 4mm diameter shaft mounted on bronze bushings, acetal resin gears



MR8 SET

nominal power: 4,80W
 nominal voltage and current: 12V DC; 400mA
 range of speeds: 9 - 18 - 47 - 78 - 258 - 330 - 1400 RPM **
 8mm diameter shaft mounted on bronze bushings, steel gears
 suitable for Exacto 8mm (5/16") system
 set includes N° 255 coupling (8mm to 4mm)

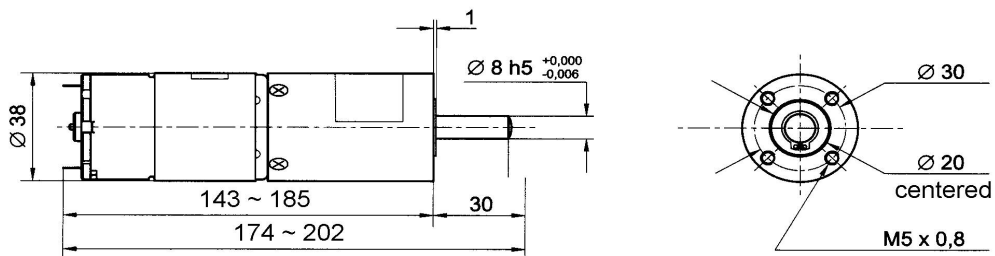


N° 255 coupling



MR5 SET

nominal power: 33,60W (12% more power than MARX HECTOPERM)
 nominal voltage and current: 24V DC; 1,4A
 range of speeds: 0,3 - 1,2 - 5 - 21 - 90 - 380 - 1600 RPM **
 8mm diameter shaft mounted on bronze bushings, steel gears
 suitable for Exacto 8mm (5/16") system, set includes N° 255 coupling (8mm to 4mm)



* All sets include adapter plate and fasteners (M4 or M5 screws, nuts, washers)

** Speeds are fixed and must be selected and specified upon ordering

